

# MINI CRAWLER CRANE



# MC815C-3

17,800lb  
Maximum Capacity

- 6 PART / 4 PART / 2 PART HOOK BLOCK
- FRONT & SIDE VIEW CAMERA
- CRANE/OR INTERLOCK
- TILT ALARM
- DIAGNOSTIC DISPLAY PANEL
- DATA LOGGER
- HOOK GROUND-TOUCH DETECTION DEVICE
- 2 SPEED FUNCTIONS
- CRANE SPEED ACCELERATOR
- PICK & CARRY



Programmable Moment Limiter (Touchscreen)



Electric Motor Power [Inverter System](Option)



Power Lifting Mode



Multi Outrigger Lifting Mode

## Specifications

Model		MC815C
Maximum Capacity		17,800lb (8,090kg)
Maximum Working Radius		61.6'
Maximum Lifting Height		64.3', 83.6' w/ Fly Jib
Hook Speed		67.5'/min 6 Part/4th Layer
Hoist Rope		IWRC 6 x Fi(29) 10mm x 492'
Boom System	Type	Automatic 5 Section, Pentagonal Telescopic
	Length	18.11' - 63.65'
	Telescopic Stroke / Speed	18.11' - 63.65' / 52.0 sec
Boom Hoist Angle / Speed		0° - 80° / 22.9 sec
Swing Radius / Speed		360° / 2.0 RPM
Travel Crawler System	Drive	Hydraulic Motor, Stepless Speed Changer
	Travel Speed	0 - 1.99 mph
	Gradability	23° Design Limit   15° Set Limit
	Ground Pressure	7.54 PSI Diesel Model 7.68 PSI Electric Dual Power Model
Engine	Type	Yanmar 4TNV88C-NMB 4 Cycle, 4 Cylinder, Water Cooled
	Rated Output	40.9 hp / 2400 min <sup>-1</sup> , 41.5 ps / 2400 RPM
	Fuel Tank	18.4 Gallon
Electric Motor (Dual Power)	Type	Totally Enclosed Fan Cooled Motor
	Size	15.0 kw, 4P, 230V, 3 phase, Inverter 30 hz - 60 hz
Remote Control (wireless)		Wireless Remote Control, Travel, Outrigger & Crane Operation, Graduated Micro Speed, Load & Rated Load LCD Display
Dimensions	Stowed L x W x H	L 20'4" x W 5'9" x H 8'2"
Net Weight		Diesel Model 20,860 lb. Electric Dual Power + 530 lb. Fly Jib +1,080 lb. Rubber pads + 485lb.
Optional Equipment		Rubber Pads, Single Part Ball / Hook, Custom Paint Color, Searcher Hook 2,300lb (1,060kg) Fly jib 3,300lb (1,520kg) Pick and Carry 2,400lb (1,090kg)

**YELLO EQUIPMENT**

MAEDA AUTHORISED DEALER

P: 409-770-3091 W: YELLOEQUIPMENT.COM



### Rated Total Load Chart

(lb)

Boom Length	MAXIMUM Outriggers, 6 Part Line									
	18.11ft boom		29.49 ft boom		40.88 ft boom		52.26 ft boom		63.65 ft boom	
Radius (Ft.)	N mode	P mode	N mode	P mode	N mode	P mode	N mode	P mode	N mode	P mode
7.9	17800	17800	14000	14000	10300	10300				
8.2	16900	16900	14000	14000	10300	10300	7400	7400		
9.8	14000	14000	14000	14000	10300	10300	7400	7400		
11.5	12100	12100	12100	12100	10300	10300	7400	7400	5200	5200
13.1	10500	10500	10500	10500	10300	10300	7400	7400	5200	5200
14.8	9200	9200	9200	9200	9000	9000	7400	7400	5200	5200
16.1	8300	8300	8300	8300	8100	8100	7400	7400	5200	5200
16.4			8300	8300	8100	8100	7400	7400	5200	5200
19.7			7000	7000	6800	6800	6100	6100	5200	5200
23.0			5900	5900	5700	5700	5200	5200	4300	4300
26.2			5000	5000	4600	4600	4600	4600	3700	3700
27.5			4600	4600	4100	4300	4100	4300	3500	3500
29.5					3700	4100	3700	4100	3200	3200
32.8					2800	3200	2800	3200	2800	3000
36.1					2200	2600	2200	2600	2200	2600
38.9					1900	2200	1900	2200	1900	2200
39.4							1900	2200	1900	2200
42.7							1800	2100	1800	2100
45.9							1600	1800	1600	1800
49.2							1400	1600	1400	1600
50.3							1300	1500	1300	1500
52.5									1300	1500
55.8									1000	1300
59.1									900	1100
61.7									700	900

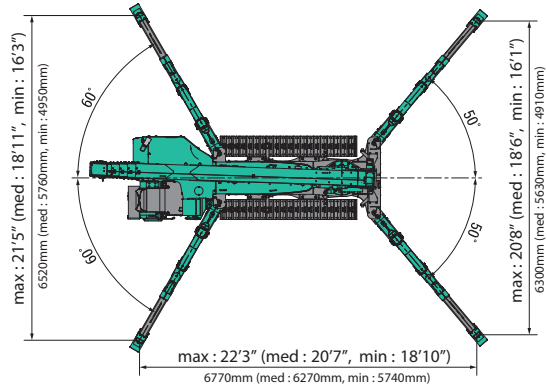
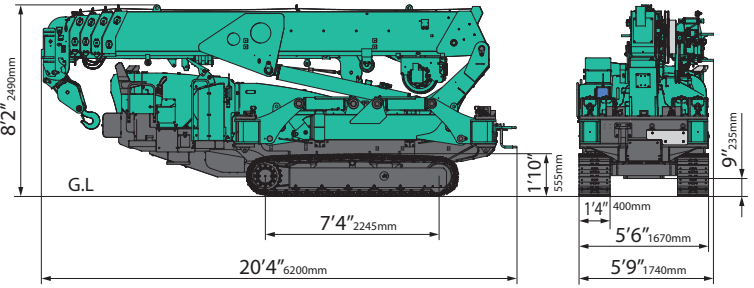
Boom Length	MEDIUM Outriggers, 6 Part Line									
	18.11ft boom		29.49 ft boom		40.88 ft boom		52.26 ft boom		63.65 ft boom	
Radius (Ft.)	N mode	P mode	N mode	P mode	N mode	P mode	N mode	P mode	N mode	P mode
7.9	13800	13800	13800	13800	10100	10100				
8.2	13800	13800	13800	13800	10100	10100	7200	7200		
9.8	13800	13800	13800	13800	10100	10100	7200	7200		
11.5	11600	11600	11600	11600	10100	10100	7200	7200	5000	5000
13.1	10100	10100	10100	10100	10100	10100	7200	7200	5000	5000
14.8	8700	8700	8700	8700	8700	8700	7200	7200	5000	5000
16.1	8100	8100	8100	8100	8100	8100	7200	7200	5000	5000
16.4			7900	7900	7900	7900	7200	7200	5000	5000
19.7			6500	6500	6500	6500	5900	5900	5000	5000
23.0			4600	4800	4600	4600	4600	4600	4300	4300
26.2			3700	3900	3700	3900	3700	3700	3700	3700
27.5			3200	3500	3200	3500	3200	3200	3200	3200
29.5					3000	3200	3000	3200	3000	3000
32.8					2100	2400	2100	2400	2100	2400
36.1					1700	1900	1700	1900	1700	1900
38.9					1300	1500	1300	1500	1300	1500
39.4							1300	1500	1300	1500
42.7							1000	1300	1100	1400
45.9							900	1100	1000	1300
49.2							800	1000	900	1100
50.3							700	900	800	1000
52.5									800	1000
55.8									700	800
59.1									600	700
61.7									500	600

Boom Length	MINIMUM Outriggers, 6 Part Line									
	18.11ft boom		29.49 ft boom		40.88 ft boom		52.26 ft boom		63.65 ft boom	
Radius (Ft.)	N mode	P mode	N mode	P mode	N mode	P mode	N mode	P mode	N mode	P mode
7.9	13600	13600	13600	13600	10100	10100				
8.2	13600	13600	13600	13600	10100	10100	6800	6800		
9.8	13600	13600	13600	13600	10100	10100	6800	6800		
11.5	11600	11600	11600	11600	10100	10100	6800	6800	4800	4800
13.1	10100	10100	10100	10100	10100	10100	6800	6800	4800	4800
14.8	8700	8700	8700	8700	8700	8700	6800	6800	4800	4800
16.1	6800	6800	6800	6800	6800	6800	6800	6800	4800	4800
16.4			6800	6800	6800	6800	6800	6800	4800	4800
19.7			4800	5000	4800	4800	4800	4800	4800	4800
23.0			3200	3500	3200	3500	3200	3200	3200	3200
26.2			2600	2800	2600	2800	2600	2600	2600	2600
27.5			2400	2600	2400	2600	2400	2400	2400	2400
29.5					2100	2400	2100	2400	2100	2400
32.8					1500	1700	1500	1700	1500	1700
36.1					1000	1300	1000	1300	1100	1400
38.9					800	1000	800	1000	1000	1300
39.4							800	1000	1000	1300
42.7							700	900	900	1100
45.9							600	800	800	1000
49.2							500	700	700	900
50.3							500	600	600	800
52.5									600	800
55.8									500	600
59.1									400	500
61.7									300	400

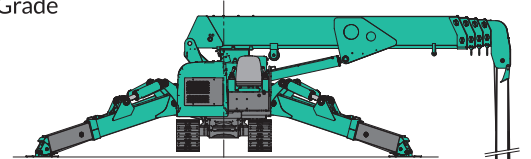
The Rated Total Load is based on the actual working radius including boom deflection. Due to wire rope strength and other limitations, when using four part, two part or single part hooks use the appropriate six part Rated Total Load Chart above but with maximum load of:

Four Part - 13,400 lb. Two Part - 6,800 lb. Single Part - 3,500 lb.

This Rated Total Load Chart is supplied for reference only. Operator and all personnel must refer to the actual crane Rated Total Load Chart to determine allowable machine lifting and operating procedures. We are constantly improving our products and reserve the right to change design and specifications at any time.



### MAX. Reach Below Grade



### Working Range Chart (4Parts)

