

# SY500H

## PRODUCT SPECIFICATIONS



### YELLO™ EQUIPMENT



SCAN  
QR CODE FOR  
PRODUCT INFO



## STANDARD FEATURES

- Powerful, robust and reliable powertrain & hydraulic components for long life in the most demanding applications
- A high-performance cooling system equipped with electronic control fan clutch provide clean, quiet operation
- Removable counterweight reduces travel restrictions and lowers transportation expenses
- Selectable working modes match machine performance to the application, maximizing productivity and minimizing operating costs
- ➔ Gross Power  
298.0 kW / 399.6 hp
- ➔ Dig Depth  
7705 mm / 25' 3"
- ➔ Operating Weight  
54500 kg / 120,152 lb
- ➔ Bucket Breakout  
275.0 kN / 61,822 lbf

### YELLO EQUIPMENT

SANY AUTHORISED DEALER

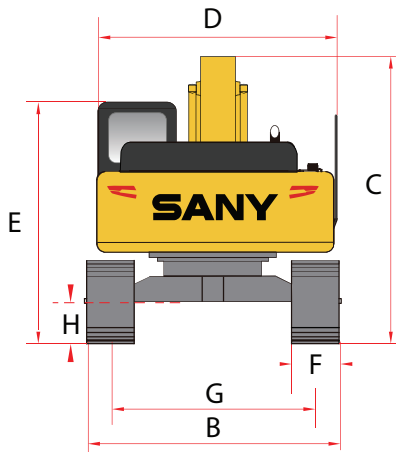
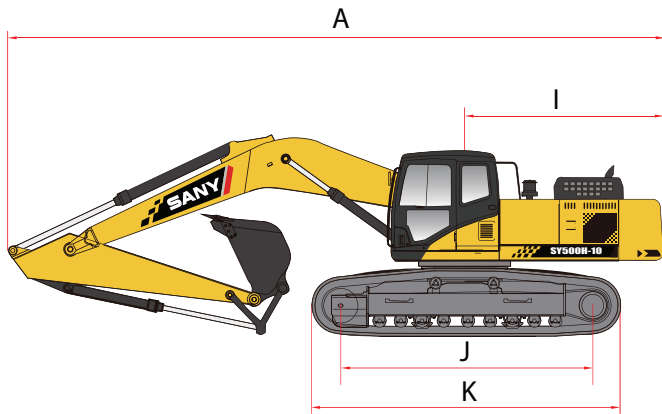
P: 1300 093 556

W: YELLOEQUIPMENT.COM

### YELLO™ EQUIPMENT

# SY500H | PRODUCT SPECIFICATIONS

## DIMENSIONS



## DIMENSIONS

Boom Length	7000 mm	23'
Stick (Arm) Length	3350 mm	11'
A Transport Length	12194 mm	39' 11"
B Transport Width	3640 mm	11' 11"
C Transport Height	3874 mm	12' 8"
D Upper Structure Width	3292 mm	10' 10"
E Cab Height	3423 mm	11' 3"
F Track Width (standard shoe)	900 mm	35"
G Track Gauge	2740 mm	9'
H Ground Clearance	560 mm	22"
I Tailswing Radius	3850 mm	12' 8"
J Track Length on Ground	4412 mm	14' 6"
K Track Length	5459 mm	17' 11"

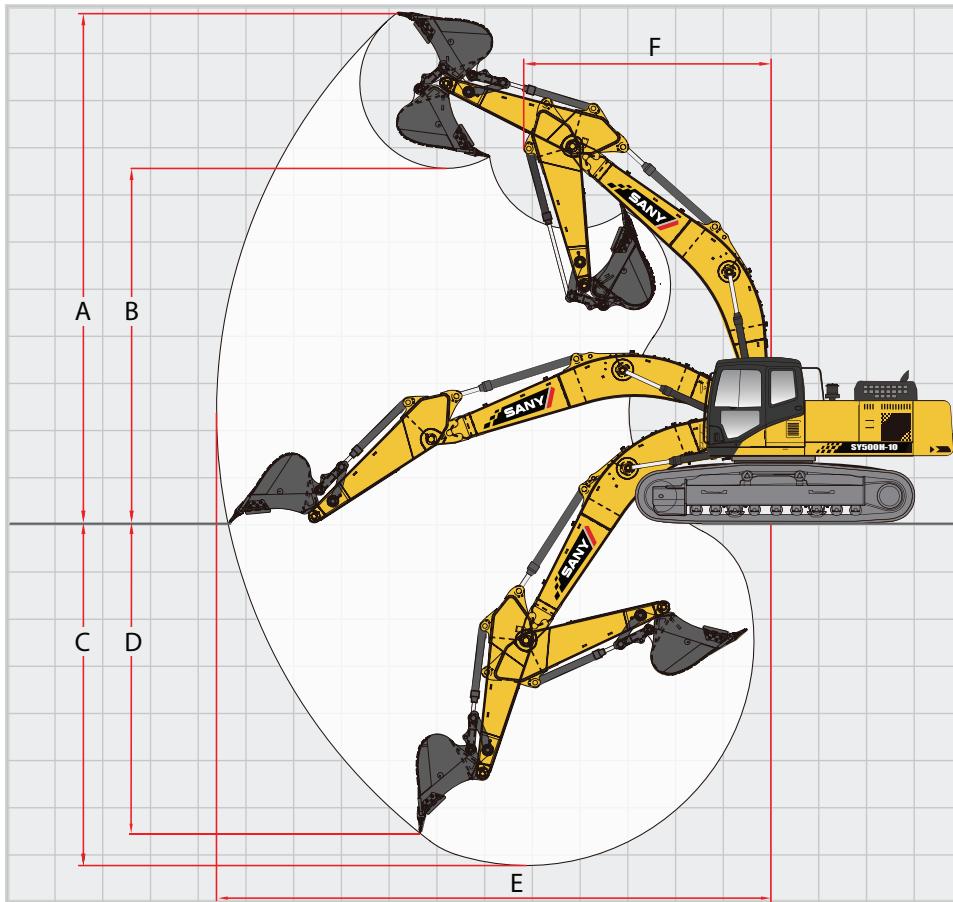
## TECHNICAL SPECIFICATIONS

Operating Weight	54500 kg	120,152 lb
Ground Pressure	59.0 kPa	8.6 psi
Engine	Cummins QSG12	
Displacement	11.8 L	720.1 in <sup>3</sup>
Gross Power	298 kW	400 HP
Hydraulics	Positive Flow Control with Pilot Control	
Main Hydraulic Pump	Axial Piston - Variable Displacement	
Operating Flow (maximum)	720.0 L/min	190.2 gal/min
Operating Pressure (maximum)	34.3 MPa	4975 psi
Power Boost Pressure (maximum)	37.3 MPa	5410 psi
Auxiliary Flow (maximum)	720 L/min	190.2 gal/min
Auxiliary Pressure (maximum)	34.3 MPa	4975 psi
Travel Motor	Axial Piston with Park Brake	
Travel Pressure (maximum)	34.3 MPa	4975 psi
Travel Speeds (maximum)	3.4 / 5.2 km/hr	2.1 / 3.2 mph
Travel Effort (maximum)	214.0 kN	48,109 lbf
Grade Capability(maximum)	35°	
Swing Motor	Axial Piston with Swing Brake	
Swing Pressure (maximum)	27.5 MPa	3989 psi
Swing Speed (maximum)	8.0 RPM	
Undercarriage (standard)	Steel Track	
Track Shoe width (standard)	900 mm	35"
Track Rollers (per side)	9	
Carrier Rollers (per side)	2	

## SERVICE REFILL CAPACITIES

Fuel Tank Capacity	680.0 L	179.6 gal
DEF Tank Capacity	56.6 L	15.0 gal
Hydraulic Tank Capacity	480.0 L	126.8 gal
Engine Oil Capacity	33.0 L	8.7 gal
Cooling System Capacity	50.0 L	13.2 gal

## WORKING RANGE



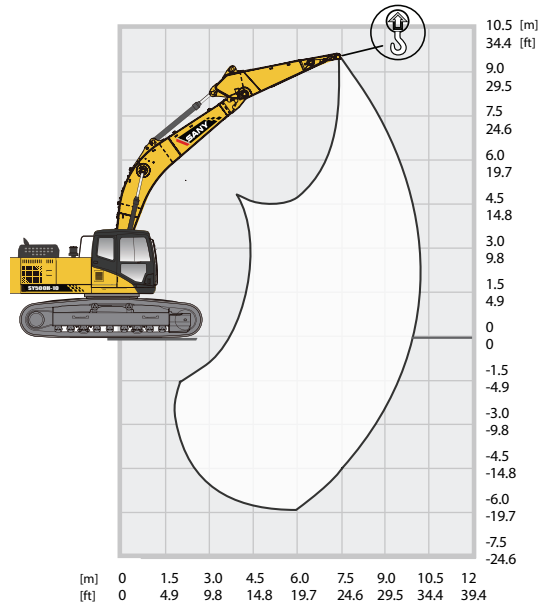
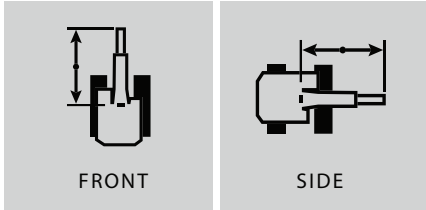
## WORKING RANGE

Boom Length	7000 mm	23 ft
Stick (Arm) Length	3350 mm	11 ft
A Maximum Digging Height	10929 mm	35' 10"
B Maximum Dumping Height	7647 mm	25' 1"
C Maximum Digging Depth	7705 mm	25' 3"
D Maximum Vertical Wall Digging Depth	6278 mm	20' 7"
E Maximum Reach at Ground Level	12035 mm	39' 5"
F Minimum Swing Radius	5216 mm	17' 1"

## DIGGING PERFORMANCE

Boom Length	7000 mm	23 ft
Stick (Arm) Length	3350 mm	11 ft
Bucket Breakout Force (ISO)	275.0 kN	61,822 lbf
Stick (Arm) Digging Force (ISO)	207.0 kN	46,535 lbf

# SY365C | LIFTING PERFORMANCE



LOAD RADIUS	3.0 m 9.8 ft		4.5 m 14.8 ft		6.0 m 19.7 ft		7.5 m 24.6 ft		9.0 m 29.5 ft	
LOAD POINT HEIGHT										
6.0 m 19.7 ft							11055 kg* 24,372 lb*	11055 kg* 24,372 lb*	10587 kg* 23,340 lb*	10587 kg* 23,340 lb*
4.5 m 14.8 ft			18642 kg* 41,099 lb*	18642 kg* 41,099 lb*	14279 kg* 31,480 lb*	14279 kg* 31,480 lb*	12192 kg* 26,879 lb*	12192 kg* 26,879 lb*	11087 kg* 24,443 lb*	8956 kg 19,745 lb
3.0 m 9.8 ft			23570 kg* 51,963 lb*	23570 kg* 51,963 lb*	16675 kg* 36,762 lb*	16675 kg* 36,762 lb*	13511 kg* 29,787 lb*	11242 kg 24,784 lb	11791 kg* 25,995 lb*	8702 kg 19,185 lb
1.5 m 4.9 ft			16257 kg* 35,841 lb*	16257 kg* 35,841 lb*	18626 kg* 41,063 lb*	14575 kg 32,132 lb	14705 kg* 32,419 lb*	10823 kg 23,861 lb	12473 kg* 27,498 lb*	8467 kg 18,667 lb
0 m 0 ft			20366 kg* 44,899 lb*	20366 kg* 44,899 lb*	19732 kg* 43,502 lb*	14178 kg 31,257 lb	15515 kg* 34,205 lb*	10543 kg 23,243 lb	12928 kg* 28,501 lb*	8307 kg 18,314 lb
-1.5 m -4.9 ft	15054 kg* 33,188 lb*	15054 kg* 33,188 lb*	26578 kg* 58,595 lb*	21365 kg 47,102 lb	19928 kg* 43,934 lb*	14053 kg 30,982 lb	15750 kg* 34,723 lb*	10430 kg 22,994 lb	12900 kg* 28,440 lb*	8268 kg 18,228 lb
-3.0 m -9.8 ft	25395 kg* 55,986 lb*	25395 kg* 55,986 lb*	24999 kg* 55,113 lb*	24999 kg* 55,113 lb*	19161 kg* 42,243 lb*	14148 kg 31,191 lb	15157 kg* 33,416 lb*	10498 kg 23,144 lb		
-4.5 m -14.8 ft	29297 kg* 64,589 lb*	29297 kg* 64,589 lb*	22004 kg* 48,511 lb*	22004 kg* 48,511 lb*	17031 kg* 37,547 lb*	14479 kg 31,921 lb	12794 kg* 28,206 lb*	10855 kg 23,931 lb		

**YELLO EQUIPMENT**

SANY AUTHORISED DEALER

P: 1300 093 556

W: YELLOEQUIPMENT.COM

**YELLO**<sup>TM</sup>  
EQUIPMENT