



SMALL EXCAVATOR RANGE

SY75C

SY75C small excavator is designed with high engine output power, fast speed and high fuel efficiency, suitable for demanding jobsites.

- » SANY four-cylinder engine and four stroke direct-injection provides a stronger power for the excavator.
- » Auto deceleration reduces fuel consumption by 5-10%. The engine speed drops automatically to idle level and maintains the idling state when the operation stops for 3.5 seconds.
- » A quick return line is added to the arm oil cylinder circuit, considerably improving the operating efficiency at low energy consumption. Main pump delivery increases from 149 liters to 168 liters. Faster speed is achieved in separate operation.



SANY

SY75C - TIER 4

 OPERATING WEIGHT:

7280kg

 ENGINE MODEL:

ISUZU CP-4LE2XA-S

 WARRANTY:

5 Year / 5,000 Hour

YELLO EQUIPMENT

SANY AUTHORISED DEALER

P: 1300 093 556 W: YELLOEQUIPMENT.COM

YELLOTM
EQUIPMENT

SY75C DIMENSIONS & SPECIFICATIONS

OVERALL DIMENSIONS

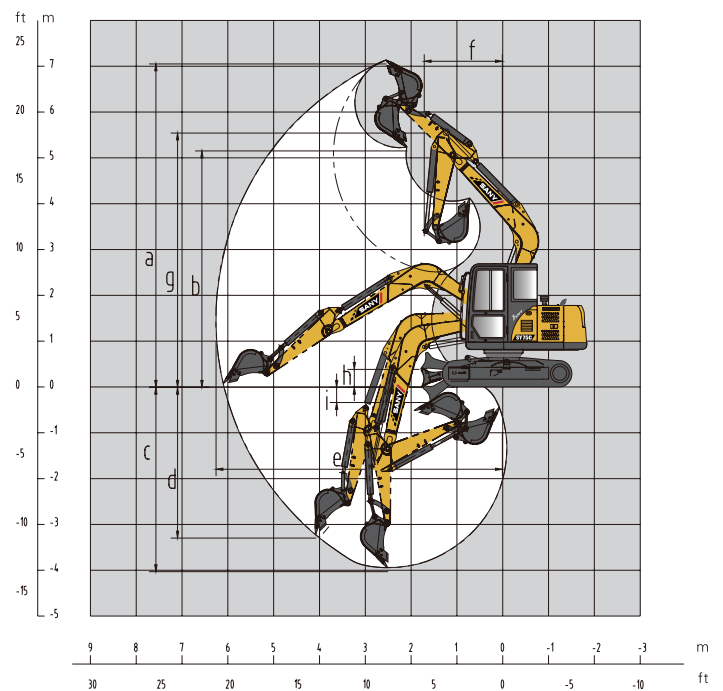
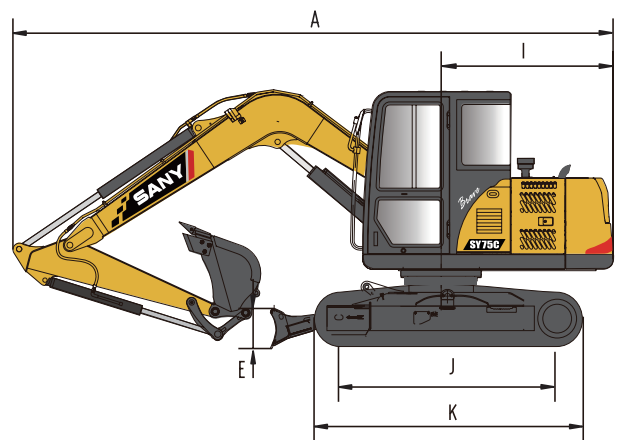
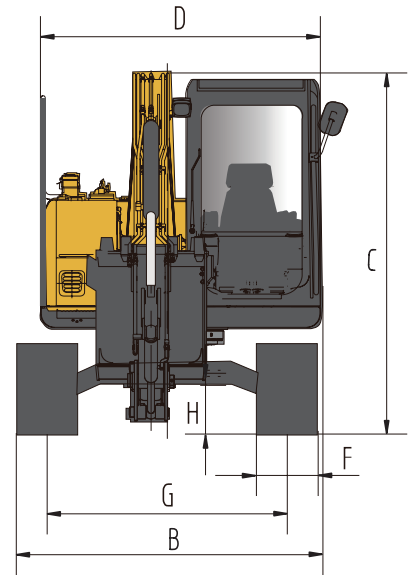
| | | |
|---|----------------------------|---------|
| A | Transport Length | 6095 mm |
| B | Transport Width | 2220 mm |
| C | Transport Height | 2760 mm |
| D | Upperstructure Width | 2040 mm |
| E | Blade Height | 405 mm |
| F | Standard Track Shoe Width | 450 mm |
| G | Track Gauge | 1750 mm |
| H | Tail Swing Radius | 1800 mm |
| I | Center distance of tumbler | 2195 mm |
| J | Overall length of crawler | 2815 mm |
| K | Counterweight Clearance | 775 mm |
| | Boom Length | 3720 mm |
| | Arm Length | 2050 mm |

WORKING RANGE

| | | |
|---|--------------------------------|---------|
| a | Maximum Digging Height | 7390 mm |
| b | Maximum Dumping Height | 5490 mm |
| c | Maximum Digging Depth | 4450 mm |
| d | Maximum Vertical Digging Depth | 3840 mm |
| e | Maximum Digging Reach | 6600 mm |
| f | Maximum Swing Radius | 1940 mm |
| g | Height at Max. Swing Radius | 5500 mm |
| h | Max. Clearance when Blade up | 390 mm |
| i | Max. Depth of Blade down | 330 mm |

MACHINE PARAMETERS

| | |
|--------------------------|-------------------|
| Operating Weight | 7280 Kg |
| Engine Type | ISUZU CP-4LE2XA-S |
| Engine Max Power (Gross) | 43kW/2000rpm |
| Engine Max Torque | 215Nm/1800rpm |
| Engine Displacement | 2.2L |
| Swing Speed | 10rpm |
| Travel Speed | 4.4/2.4(km/h) |
| Fuel Tank Capacity | 150 L |
| Hydraulic Tank Capacity | 120 L |
| Engine Oil Capacity | 10 L |
| Ground Pressure | 33kPa |
| Gradeability | 35° |
| Bucket Digging Force | 51kN |
| Arm Digging Force | 30kN |



Not all products are available in all markets. Under our policy of continuous improvement, Sany reserve the right to change specifications and design without prior notice. The illustrations do not necessarily show the standard version of the machine.

YELLO EQUIPMENT

SANY AUTHORISED DEALER

P: 1300 093 556 W: YELLOEQUIPMENT.COM

YELLOTM
EQUIPMENT