

SSR80C-10 SINGLE DRUM ROLLER PADFOOT



Higher compaction efficiency

- ◆ The exciting force is 10% higher than similar models in the industry, Operational efficiency increased by 16.7%

Longer service life of the whole machine

- ◆ Original rat bag type lubricating device fully lubricates bearings, bearings Service life of more than 5000h
- ◆ Double filtration of air intake at the high position of the engine, and three-stage filtration of the oil circuit

Safer humanised design

- ◆ Original rat bag type lubricating device fully lubricates bearings, bearings Service life of more than 5000h
- ◆ Double filtration of air intake at the high position of the engine, and three-stage filtration of the oil circuit
- ◆ Safer humanised design
- ◆ The cab is installed on the shock absorbing bracket
- ◆ Cab temperature can be controlled
- ◆ Operator control has been reduced

HIGH EFFICIENCY

- ◆ 10% greater excitation force than other products in the same category resulting in 16.7% greater production.

EXTENDED LIFE TIME

- ◆ The use of water wheel type lubrication on the vibratory bearing extends the bearing life up to 5,000 hours.
- ◆ Double filtration of engine high intake air, the hydraulic system contains three stage filtration.

OPERATOR COMFORT

- ◆ Cab mounted on vibration damping mounts
- ◆ Cab temperature control
- ◆ Operator control forces have been reduced

SAFETY FEATURES

- ◆ Rounded bumpers front and rear
- ◆ Large rear glass and sloped hood for greater visibility

TECHNICAL PARAMETERS

SSR80C-10 Single Padfoot Roller Technical Parameters

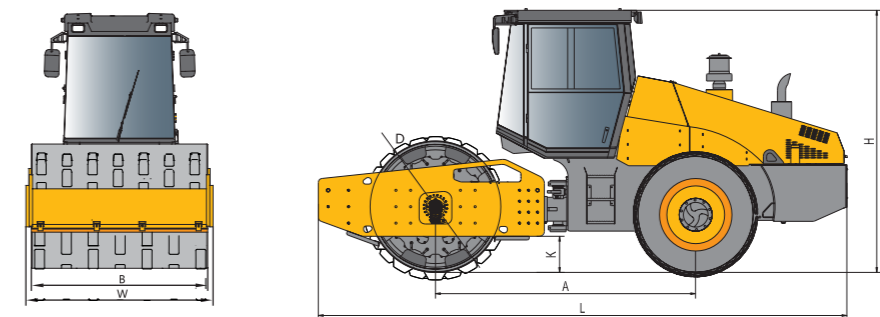
Model		SS80C-10
Weight and Load	Operating Weight(kg)	7330
	Weight at Drum(kg)	3552
	Weight at Rear axle(kg)	3583
	Drum Static Linear Load(N/cm)	21.9
Compaction	Vibration Frequency (Hz)	29.5/33.5
	Nominal Amplitude(mm)	1.9/1.2
	Centrifugal force(kN)	132/110
	Drum Diameter(mm)	1215
	Drum Width(mm)	1676
Maneuver Ability	Travel Speed(km/h)	0~4.5
		0~6.5
		0~8.5
		0~11.5
	Gradeability	60%
	Ground Clearance(mm)	306
	Wheelbase(mm)	2675
	Steering Angle(°)	±35
	Swing Angle(°)	±12
	Min. Turning Outside Diameter(mm)	9750
Engine	Tires	14.9-R24
	Brand	YANMAR
	Model	4TNV98CT
	Emission	III
Capacity	Rated Power(kW)	53.7
	Battery(V×Ah)	12×60
	Fuel Tank(L)	130
	Hydraulic Oil Tank(L)	65

SSR80C-10 Single Padfoot Roller Standard and Optional Configurations

Config	Systems	Description	Quantity	Details	Remarks
Standard Configuration	Main Machine	SS80C-10	1	1.Engine 2.Travel Pump 3.Vibration Pump 4.Travel Motor 5.Vibration Motor 6.Reduction Gears 7.Operating Platform 8.Vibratory Drum (Smooth) 9.Electrical System	10.Operating System 11.Front Frame 12.Rear Frame 13.Covering Part 14.Rear Axle Assembly 15.Center Articulated Frame 16.Cab+A/C
		SS80C-10 Single Drum Roller, Standard			
Optional Configuration	Shed	Shed	1	Low Cost	Optional
	Vibratory Drum with Welded pad foot	Drum with Welded pad foot	1	Vibratory drum with welded pad foot, which cannot be removed, suitable for compaction of clay, semi-clay, rocks, gravels, expansive soil, and coal cinder base	Substitute smooth drums permissible
	Vibratory Drum with Assembled pad foot	Drum with Assembled pad foot	1	Vibratory drum with assembled pad foot, which can be removed to form a smooth drum; suitable for compaction of clay, semi-clay, rocks, gravels, expansive soil, and coal cinder base	Optional

SSR80C-10 Single Padfoot Roller Dimensions

Size Code	SS80C-10
A(mm)	2675
W(mm)	1830
L(mm)	5160
D(mm)	1215
H(mm)	3050
B(mm)	1676
K(mm)	376



YELLO EQUIPMENT

SANY AUTHORISED DEALER

P: 1300 093 556

W: YELLOEQUIPMENT.COM

YELLO™
EQUIPMENT

SANY®
QUALITY CHANGES THE WORLD.